

Diaphragm Seal

990.30 with extended flush diaphragm
with pressure transmitter S-10

E 06.12.06

Ed.17.01

Design	Diaphragm seal 990.30 in special design with extended flush diaphragm directly mounted with pressure transmitter type S-10 with output signal 4-20 mA For homogeniser machines
Type	990.30
Diaphragm Seal	Type 990.30 Material stainless steel 1.4542/1.4571 Extended flush diaphragm Ø 23,8 x 13,5 mm Diaphragm Ø 22 mm Distance part ø 22 x 69,5 mm Flange Ø 34,9 x 10 mm
Pressure sensor	Type S-10 Material stainless steel Power Supply 10-30 VDC Output signal 4-20 mA (2-wire) Max load 4-20 mA RA[Ohm] = (UB[V]-10 V)/0,02 A Accuracy 0,25% Circular connector M12x1, 4-pin
Filling fluid	KN 92 FDA 21 CFR 172.878, 21 CFR 178.3620(a)
Level of cleanliness	Oil and grease free per ASTM G93-03 level E (< 550 mg/m ²)
Working Pressure	90% of full scale range by fluctuating pressure full scale value by short time pressure
Process temperature	Process temperature max +10+130°C
Ambient temperature	Ambient temperature max +10+40°C
Ingress protection	IP 65



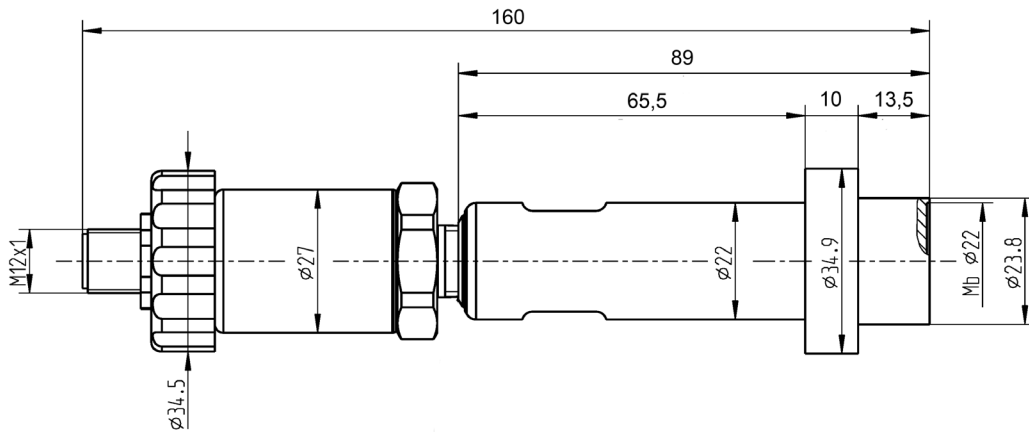
Description	Code	Pressure range
S-10 4-20 mA with 990.30 flush diaphragm Ø 23,8 x 13,5 mm	40301019	100 bar
S-10 4-20 mA with 990.30 flush diaphragm Ø 23,8 x 13,5 mm	40301024	400 bar
S-10 4-20 mA with 990.30 flush diaphragm Ø 23,8 x 13,5 mm	40301025	600 bar
S-10 4-20 mA with 990.30 flush diaphragm Ø 23,8 x 13,5 mm	40301028	800 bar
S-10 4-20 mA with 990.30 flush diaphragm Ø 23,8 x 13,5 mm	40301029	1000 bar

Diaphragm Seal

990.30 with extended flush diaphragm
with pressure transmitter S-10

E 06.12.06

Drawing 1 for pressure range
0-100 bar, 0-400 bar and 0-600 bar



Drawing 2 for pressure range
0-800 bar and 0-1000 bar

